

60+
SINCE 1961



LATTICE BEAMS



PILOSIO
SCAFFOLDING & FORMWORKS



H 25 cm LATTICE BEAMS



TECHNICAL CHARACTERISTICS:

H 25 cm ALUMINUM BEAMS

Our patented high-capacity beams solve stacking issues and fatigue when setting up temporary structures but are also suitable in all cases where sturdy, yet lightweight beams are needed. In addition, the reduced weight and compact overall dimensions minimize transportation, handling, and storage costs.

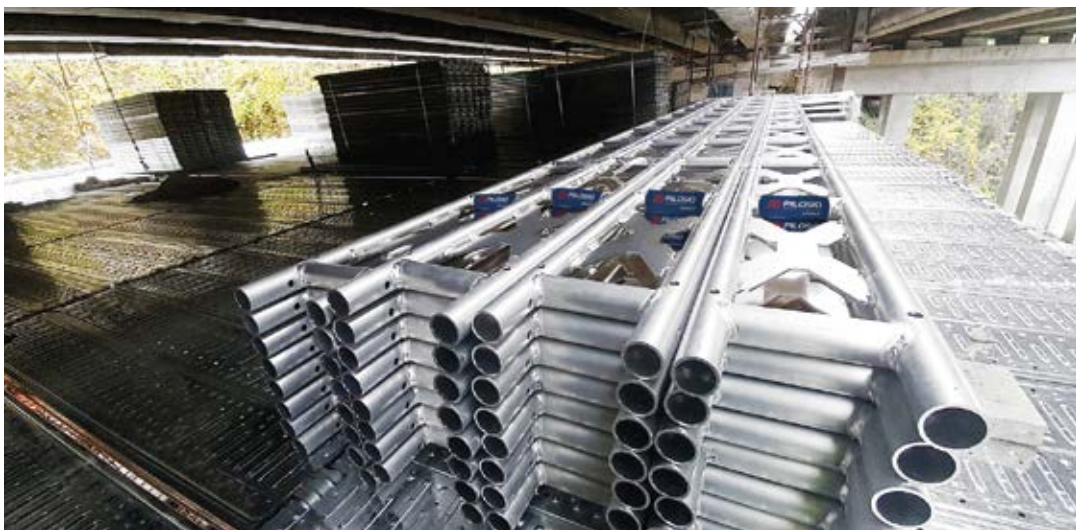
H 25 cm STEEL BEAMS

Our patented high load-bearing steel beams are a guarantee for any construction site and any fixed or temporary structure. In addition, their compact overall dimensions minimize transportation, handling, and storage costs.

THE ADVANTAGES OF OUR BEAMS

Perfectly coplanar surfaces can be created without limitations using our beams coupled with the appropriate spigots. In addition, our patented elastic pins, used instead of locking bolts speed up operations significantly and ensure greater safety.

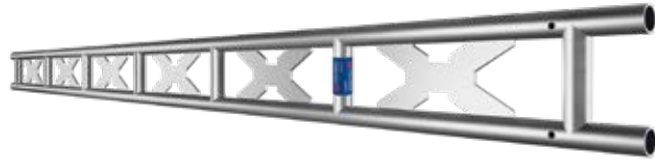
Our beams are the result of close collaboration with users and renters from all over the world, and are unique in the market, designed, calculated, and tested to make the daily work of the operators in the construction, entertainment, industry sectors faster, smoother, and safer.





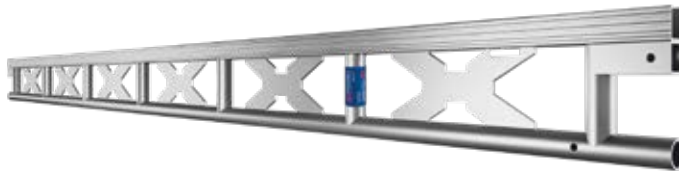
TT

The TT beam model is compatible with all major brands of planks on the market.



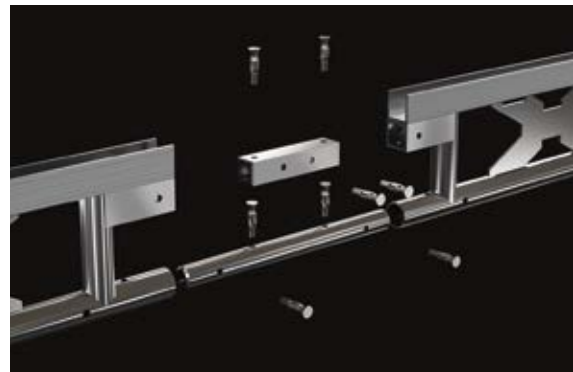
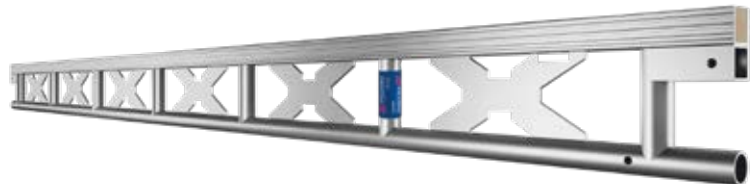
UT

The UT “reverse” beam model has been specifically designed to host steel planks with a tube connection on one side and steel planks with a “U” profile connection and a panel stop on the other side.



UTL

The UTL beam model is equipped with a multilayer wood batten on one side and is used as a complement for propping or to create planked work surfaces.



H 45 cm LATTICE BEAMS



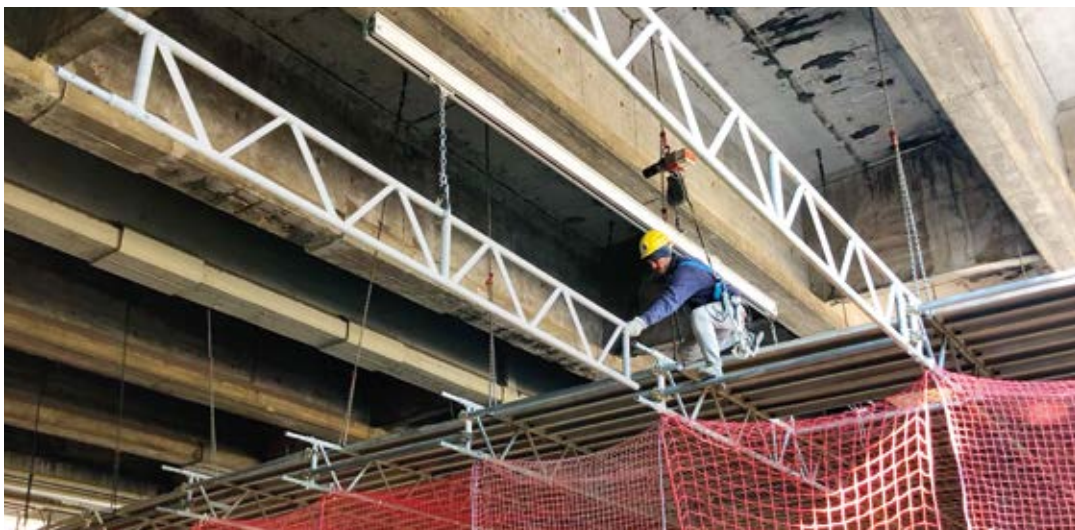
TECHNICAL CHARACTERISTICS:

H 45 cm ALUMINUM BEAMS

H 45 cm aluminum lattice beams: widely used, extra-light, durable and suitable for multiple uses.

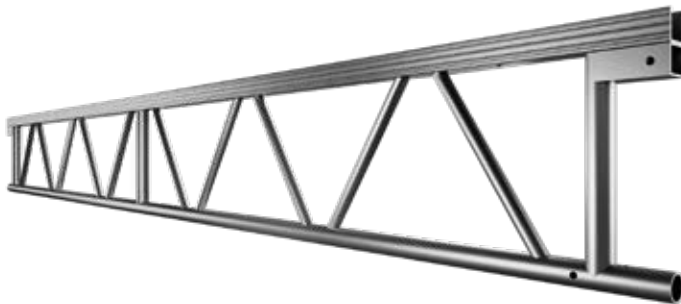
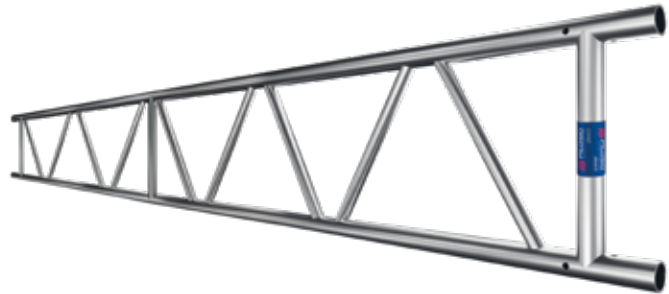
H 45 cm STEEL BEAMS

45 cm steel lattice beams: the most popular on the market, durable and suitable for all uses.





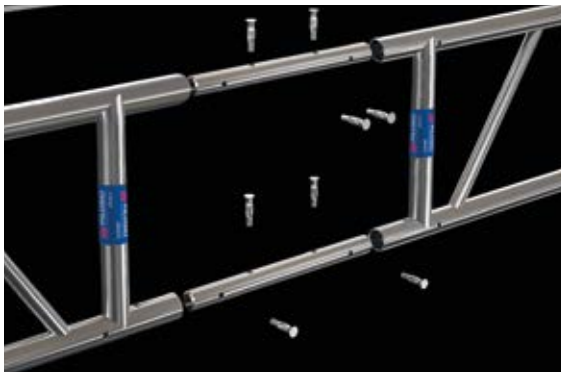
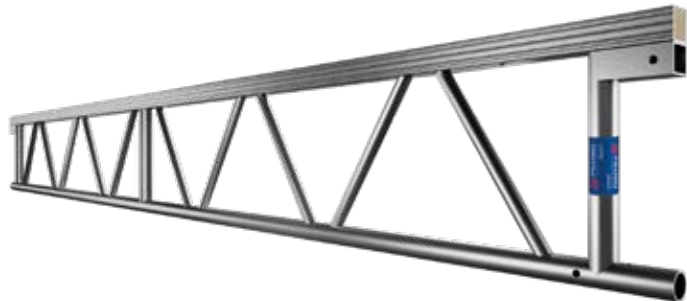
TT
The TT beam model is compatible with all major brands of planks on the market.



UT
The UT "reverse" model is an evolution. It was designed to host steel planks with a tube connection on one side and steel planks with a "U" profile connection and panel stop on the other side.



UTL
The UTL beam model is equipped with a multilayer wood batten on one side and is used as a complement for propping or to create planked work surfaces.



MAIN ACCESSORIES

CONNECTING SPIGOTS

Beam connection using special 193 mm long square spigots and 443 mm long round spigots with the support of 4 Ø12 mm elastic pins or, alternatively, 4 screws with a M12x60 mm nut.



SPRING PIN Ø 12 mm

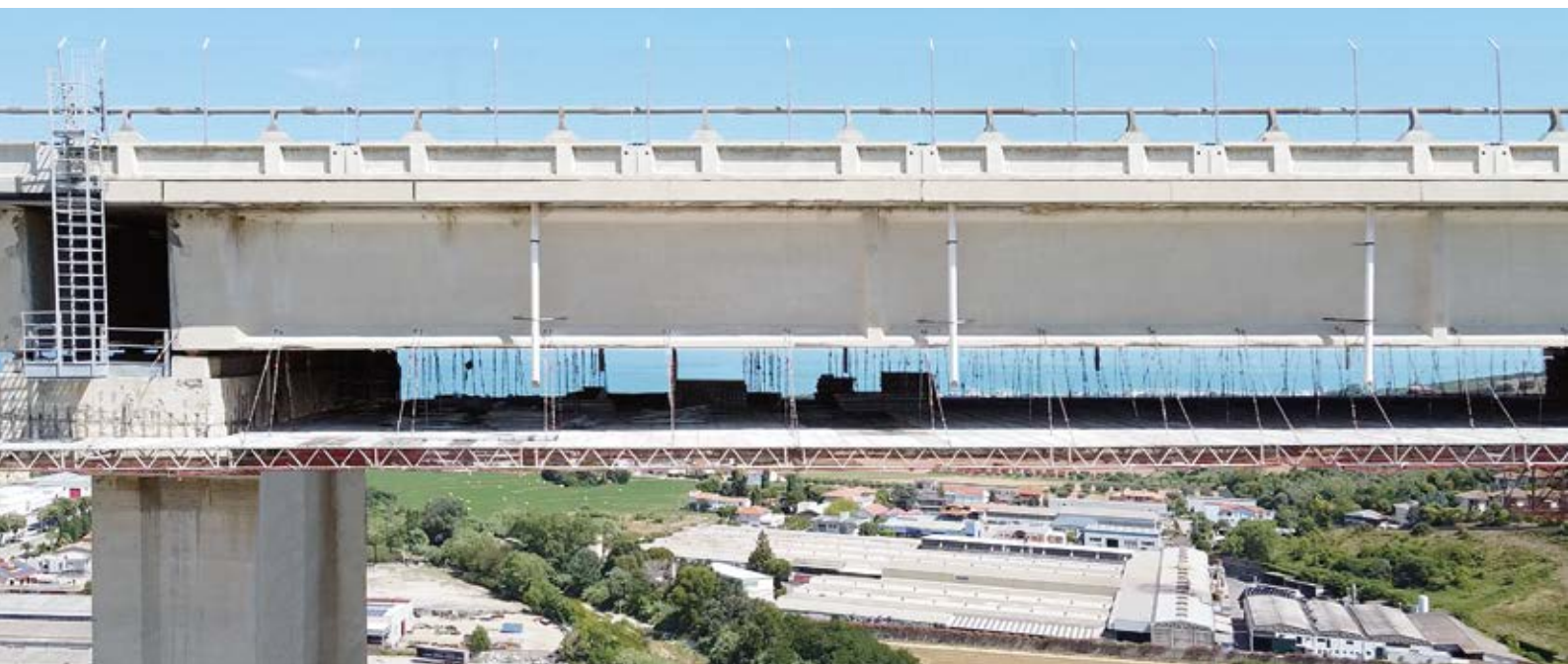
Immediate quick connection.

The pin body is made of hot-galvanized steel, the elastic cage of prestressed steel wire.

Patent Pending and Registered Community Design

STIFFENING CROSSBAR

Aluminum stiffening crossbar in different lengths, equipped with two spigots with EN 74-1 half joints and Ø 12 mm elastic pins.





PILOSIO
PONTEGGI E CASSEFORME



PILOSIO
SCAFFOLDING & FORMWORKS

Pilosio Srl - Via E. Fermi, 45 - 33010 Feletto Umberto - Tavagnacco (UD) - Italy
Tel. +39 0432 435311 - www.pilosio.com - info@pilosio.com