



FastBase[®]



BANAGHER
PRECAST CONCRETE



Low Carbon Precast
Transformer Bases



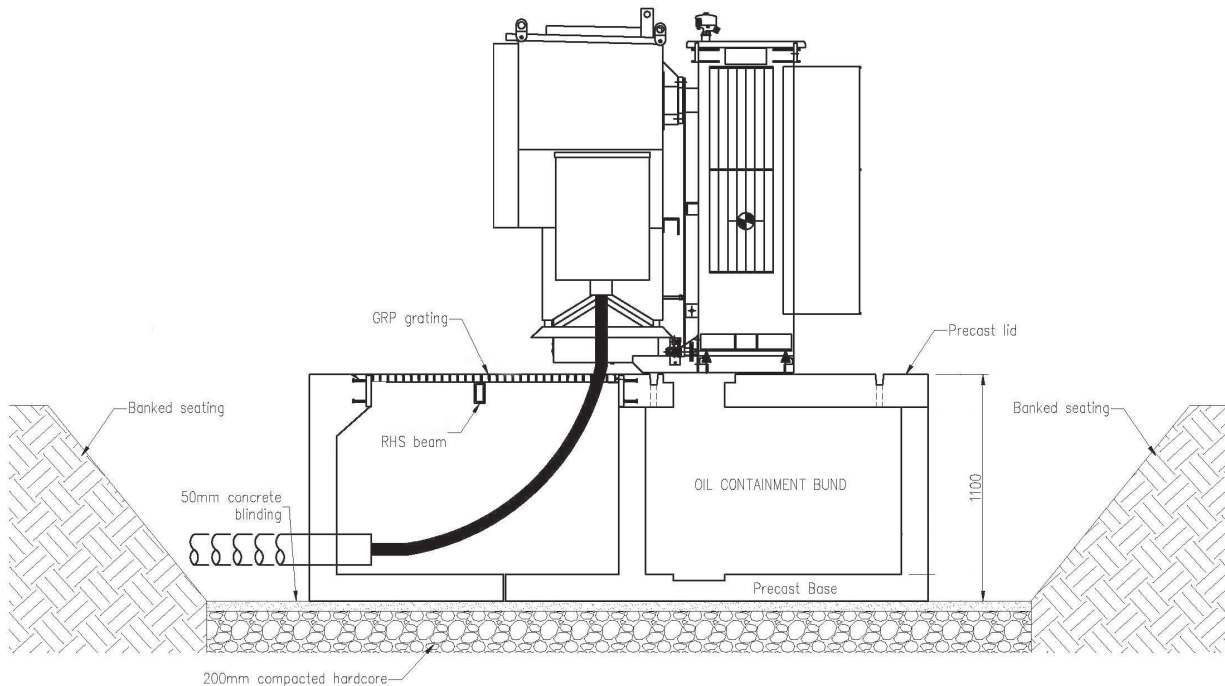
www.banagherfastbase.co.uk

BoxClever

15 Tonnes Less Concrete

Introduction

- Banagher Precast Concrete - manufacturing precast since 1949.
- FastBase® developed with UKPN as an alternative to in-situ works.
- Manufactured in Norfolk and delivered nationwide.
- Factored in safety-by-design to reduce risk on-site.
- Range of bases to suit different transformers / TR enclosures.
- Contact our team to find out more: info@bancrete.com



FastBase®

- UK Power Networks approved.
- Oil containment bund, 2.5 m³ capacity.
- Complete with earthing solution.
- Units contain 14 Rigiduct pipes on 3 sides.
- A1 Base (TR7): pipes 125 mm diameter.
- A3 Base (TR7 & TR 18): pipes 150 mm diameter.
- Unused pipes can be capped.
- GRP grating included.
- Cast-in lifting anchors for easy offloading.
- We deliver directly to site.
- Nationwide delivery.
- Available to all DNO's, IDNO's, ICP's and contractors.

Carbon Conscious Concrete

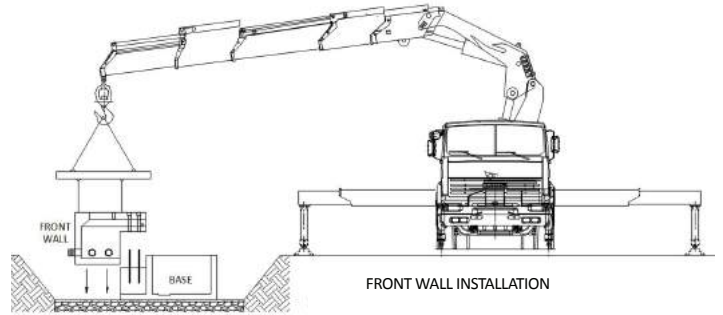
- Units use up 15 tonnes less concrete than in-situ.
- Saving up 1,839 kg/CO₂ per base.
- FastBase® concrete mix contains 33% GGBS (recycled by-product of steel manufacturing).
- Self-compacting concrete to eliminate energy inefficient curing processes.
- Factory production eliminates concrete waste.
- Fewer trades and vehicle movements on site reduces carbon emissions.

Installed in just 3 Hours

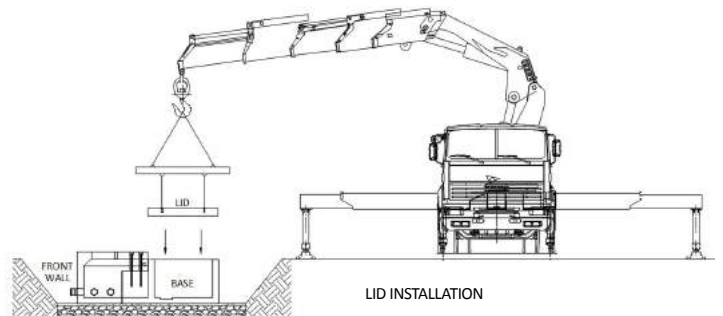


Installation

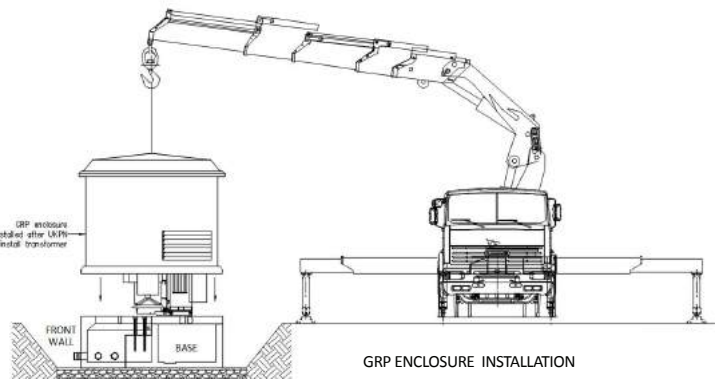
Step 1-2: Lift the first unit into position and then guide the front wall onto the base using the male/female connections cast into the unit.



Step 3: Lift the precast lid and grate onto the base.



Step 4-5: Install the transformer onto the base and then position the GRP enclosure over the transformer.



Utility Line EV Charging 'Gigahub' installation NEC, Birmingham

Head Office: Banagher Precast Concrete Ltd, Banagher, Co. Offaly, R42 WA21, Ireland.
 UK Office: Banagher Precast Concrete Ltd, Mundford Road, Weeting, Norfolk, IP27 0PL, United Kingdom.
 T(UK) +44 (0)161 300 0513 T(IRL) +353 (0)57 9151417 E info@bancrete.com W www.banagherfastbase.co.uk W www.banagherprecast.com

 #ChallengeUs #BoxClever

Civil | Rail | Buildings | Stadia | Marine | Energy | MSCP's | Bespoke Precast



This carbon-saving solution has the potential to revolutionise substation installation. Our long-term vision is to get to a stage where all components arrive on-site at one time, including the substation, which will create even greater cost and time savings for our customers, all while holding us and the supply chain environmentally accountable.

Neil Fitzsimons, Managing Director at Power On



We offer a wide range of offsite precast solutions for the Energy and Utilities sectors including:

- Cable Troughs / U-Ducts
- Communication Chambers
- Tunnel Segments
- Link Boxes
- Box Culverts
- Fire Walls
- Encapsulations
- Bridge Beams
- Bespoke Precast