

MAGBLU

MINI MIDNIGHT



The MagBlu Mini Midnight Boiler Filter from Navigator boasts a high magnetic strength to help remove ferrite particles from your heating system, prolonging the life expectancy of the boiler.

This filter is ideal for very small spaces, being one of the most compact filters on the market, with design features usually only found in far more expensive models.

The Mini Midnight comes in a black reinforced nylon body, with a nickel-plated solid brass top and two 22mm butterfly type compression valves.



www.navigatormsl.com



MAGBLU

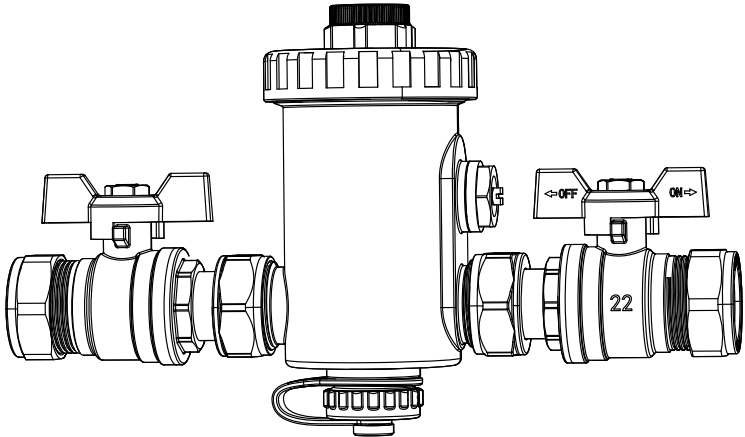
MINI MIDNIGHT

All seals are boiler grade, designed to withstand high heat for prolonged periods.

The valve position can be altered to suit the space available, either "in line" or at right angles to the filter.

The magnet is easily removed for cleaning, recommended during normal service intervals.

The kit comes with spare seals and a handy tool for adjusting the top cap.



from
NAVIGATOR®

PRODUCT CODE

BFMBC-MIDMINI

Please Note: MagBlu Mini Midnight Boiler Cleaner is only suitable for use on domestic central heating systems.

SPECIFICATION

| | |
|--|-----------------------|
| Valves & Cap Material | Nickel-Plated Brass |
| Body Material | Reinforced Nylon PA66 |
| Working Pressure | 6 BAR |
| Magnet Force | 9000 GAUSS |
| Valve Connections | 22mm Compression |
| Weight | 1300 grams |
| Overall Length (when fitted in line with valves) | 215mm |
| Width (excluding valves) | 90mm |
| Height | 130mm |
| Filter Mesh | Stainless Steel 304 |
| O Ring | EPDM |
| KVS Flow Capacity | 4.8 m3/h |

