



PROTECTION FOR YOUR HEATING SYSTEM

from
NAVIGATOR®



Features & Benefits

- Low cost magnetic protection
- Fast & simple retrofit installation
- Extendable reach
- Integral bleed nipple
- High quality chrome cap
- Easy to clean
- Zero plastic packaging
- Invented and designed in the UK

What is RadMag?



RadMag is a unique product (patent application pending) invented and designed in the UK, to be a fast and economical way to install magnetic protection in a domestic heating system.

It can be fitted in minutes with a minimum of tools, without breaking into any existing pipework, providing round the clock protection while being hardly noticeable.

The unit contains a high powered magnet array which can be extended to optimise the ferrite capture area. It can be retracted periodically for inspection and wiped clean before re-inserting to provide continuous removal of harmful ferrous particles.

It can easily be inserted into most towel warmer and designer type radiators and incorporates a high quality chrome cap with an integral bleed nipple, enabling the system to be checked and maintained regularly.

The unique point of sale packaging is completely free of plastic and the components are all fully recyclable.

See the RadMag installation and cleaning video by scanning QR Code shown or visit:

www.navigatormsl.com/radmag

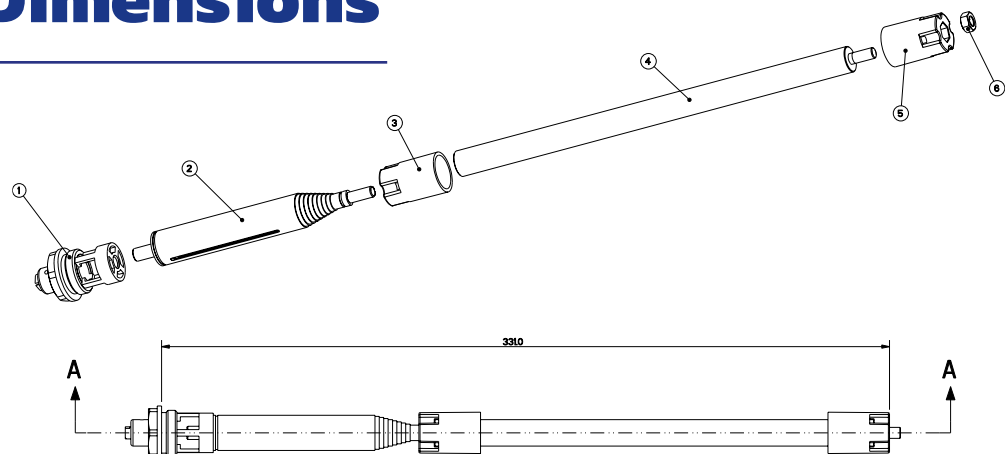


Scan me for installation instructions



RadMag Dimensions

1. Chrome Radiator Top
2. Telescopic Shaft
3. Orange Top Cap
4. Magnet Array
5. Orange Bottom Cap
6. 5mm Hexagonal Locknut



Patent Application No. 2207634.3